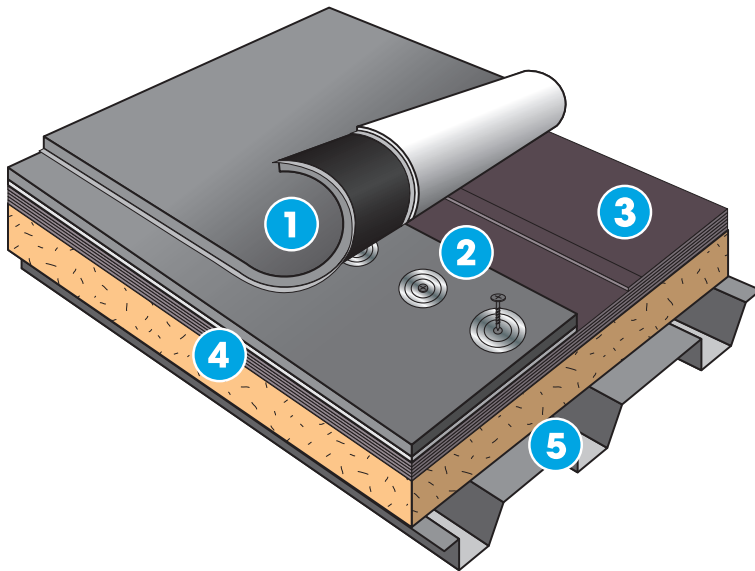




VERSIFLEECE

VERSIFLEECE AC EPDM - Mechanically Attached Recover



VersiFleece AC Membrane as an option for Hot Mopped Mechanically Attached Roofing Systems is available in the following:

Colors: Black

Thickness (mils): EPDM + Fleece: 90 and 105

Standard Widths: 10'

Standard Length: 100'

Typical Recover

1. VersiFleece AC Membrane
2. 2" Polymer Seam Plates 12" on center
3. Existing Smooth, Mineral Surfaced Built-Up or Modified Bitumen System
4. Existing Insulation
5. Metal Deck

System features and benefits include:

- Most cost-effective recover solution for smooth or mineral surfaced built-up, and modified bitumen systems
- EPDM membrane acts as a cap sheet for cost effective recover solution for asphaltic roofs
- EPDM is UV stable and requires no maintenance or protective coating
- Total System Warranty coverage available up to 15 years
- 67% fewer field seams when compared to modified bitumen
- Standard 55 mph wind-speed warranty
- Can be applied to dead level surfaces without warranty being voided
- Fast and easy to install



A SINGLE SOURCE FOR SINGLE-PLY ROOFING

Versico, LLC PO Box 1289, Carlisle, PA 17013
 Tel: **800.992.7663** Fax: 717.960.4036 Web: **www.versico.com**



VERSIFLEECE

MECHANICALLY ATTACHED RECOVER			
EXISTING DECK TYPE	SMOOTH BUR MINERAL CAP SHEET OR MODIFIED BITUMEN	GRAVEL BUR	SINGLE-PLY
INSULATION REQUIRED	NONE REQUIRED	YES	NONE REQUIRED*
RECOMMENDED INSULATIONS	NOT REQUIRED	VERSICO RECOVERY BOARD OR VERSICO RECOVERY BOARD OVER VERSICO POLYISO	
INSULATION ATTACHED BY	N/A	VERSICO FASTENERS/PLATES	
MEMBRANE ATTACHMENT	2" POLYMER SEAM PLATES AND FASTENERS		

UL Class A Ratings available. For current Code Approvals and Warranties, visit Versico's website or contact a Versico Technical Representative.
*Except when recovering existing PVC or Ballasted Systems.

Versico's VersiFleece AC membrane is the most cost-effective solution for recovering worn-out smooth or mineral surfaced built-up and modified bitumen systems.

INSTALLATION

Versico's VersiFleece AC membrane is factory fabricated with a patented hot-melt adhesive technology. The finished sheet is comprised of VersiGard (black) non-reinforced EPDM membrane laminated to a non-woven fleece backing (external reinforcement) and is specifically designed for recover installations. The sheet provides superior UV, ozone and weathering features known to EPDM.

Refer to Versico's published specification and details for more complete information.

VersiFleece AC Membrane Strengths

- Provides greater puncture resistance than standard 60-mil sheeting
- Exhibits 180% greater tear resistance than standard 60-mil sheeting
- Greater dynamic puncture strength than modified bitumen
- Built-in fleece barrier for mechanically fastening over smooth or mineral surfaced, and modified bitumen systems

QUALITY ASSURANCE

Versico Authorized Contractors have received training to install Versico's Roofing Systems.

INSPECTION

Upon installation completion, and prior to the issuance of a membrane system warranty, an inspection will be conducted by a Versico Field Service Representative.

WARRANTY

Properly installed and inspected on a commercial project may receive:

- A 5- or 10- year Membrane System Warranty; peak gust wind speed coverage up to 55 mph.
- A 10-year Total System or 15-year Total System Warranty may be requested when all materials used for the roofing installation are manufactured or marketed by Versico.

Consult your roofing contractor or Versico Independent Sales Representative for associated warranty charges.

